



LDF - Lincat Lynx 400 Electric Counter-top Single Tank General Purpose Fryer - 1 Basket - W 270 mm - 3.0 kW

The 3kW Lynx 400 Electric Counter Top Fryer is designed to plug in and play, which means that you'll be producing perfect fried chips in no time at all.

- ✓ Removable control head to aid easy cleaning and maintenance
- ✓ Thermostatically controlled to give better and more consistent cooking results
- ✓ Safety thermostat to prevent overheat
- ✓ Stainless steel tanks for easy cleaning
- ✓ Comes with batter plate to allow open frying
- ✓ Nickel plated baskets for easy cleaning
- ✓ Plug and play for an easy installation

Specifications

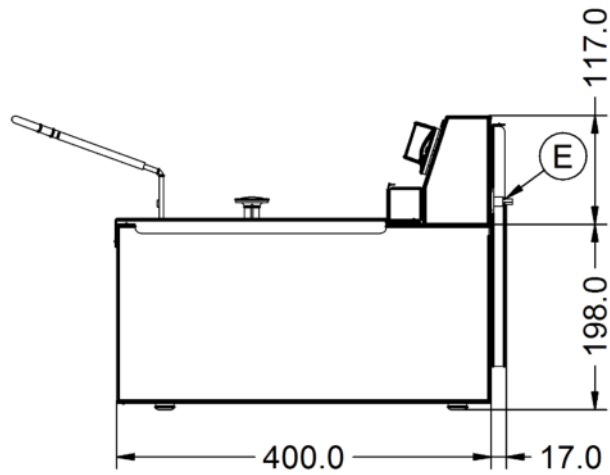
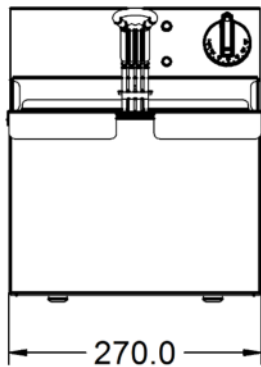
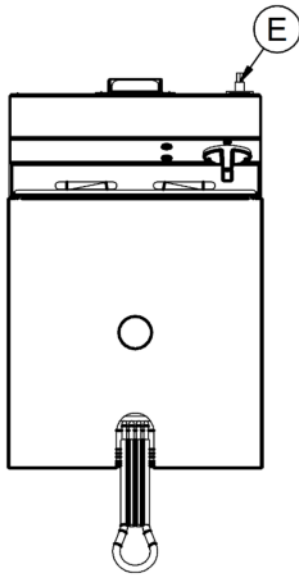
| Summary | | Power and Performance | |
|-----------------------------|-----------------------------------|-----------------------------|------------|
| Brand | Lincat | Total Power kW | 3.0 |
| Range | Lynx 400 | Temperature Range °C | 130-190 |
| Power Type | Electric | IP Rating | IP23 |
| Unit Type | Counter-top | Temperature Control | Mechanical |
| Available in UK Only | No | | |
| UK Warranty | 2 Years Parts and Labour Warranty | | |
| Export Warranty | Contact your local dealer | | |
| GTIN | 5056105101024 | | |

| Key Specifications | | Capacity | |
|---------------------------|----|--------------------------------|---|
| Number of Baskets | 1 | Product Output per Hour | 8kg chips - 12mm [frozen], 11kg chips - 12mm [chil] |
| Number of Tanks | 1 | Capacity Litres | 4.0 |
| Gravity Filtration | No | | |
| Pumped Filtration | No | | |

| Weights and Dimensions | | Supply Connections | |
|----------------------------------|-----|---------------------------------------|-------|
| Unit Height (External) mm | 315 | Requires Installation | No |
| Unit Width (External) mm | 270 | Requires Electrical Supply | Yes |
| Unit Depth (External) mm | 417 | UK 3 Pin Plug | Yes |
| Net Weight Kg | 8 | Requires Hardwiring | No |
| | | Electrical Supply Rating Watts | 3,000 |
| | | Single Phase Amps | 13.0 |
| | | Single Phase Voltage | 230 |

| Shipping | |
|-------------------------|-----|
| Packed Weight Kg | 8.8 |
| Packed Height cm | 42 |
| Packed Width cm | 48 |
| Packed Depth cm | 38 |

Technical Picture



Lincat Limited

Whisby Road,
Lincoln, LN6 3QZ,
United Kingdom

Company No: 2175448

A member company of



Customer Care

Tel: +44 1522 875500
Email: care@lincat.co.uk

Export Customers

Tel: +44 1522 875536
Email: export@lincat.co.uk

Opening Hours

Monday – Friday:
8.30am – 5pm