



DF49 - Lincat Silverlink 600 Electric Counter-top Single Tank Fryer - 2 Baskets - W 450 mm - 9.0 kW

The powerful Silverlink 600 Electric Single Tank Counter Top Fryer delivers 30kg of chips per hour and features a two basket operation which gives you the flexibility of cooking different foods or loads simultaneously.

- ✓ Higher powered, single tank fryer with two baskets giving you the flexibility to cook different foods or loads simultaneously, delivering 30kg of chips per hour
- ✓ Front mounted controls for safety
- ✓ Hinged elements to give easy access during cleaning
- ✓ Cool zone collects cooking debris - gives cleaner cooking results and saves money by prolonging the life of the oil
- ✓ Thermostatically controlled to give accurate cooking temperatures throughout cooking. Fail-safe top temperature cut out ensures safe operation.
- ✓ Fully moulded 304 stainless steel tank and heavy duty nickel plated baskets for the most demanding of operations
- ✓ Front drain off tap for easy removal of cooking oil

Specifications

Summary		Power and Performance	
Brand	Lincat	Total Power kW	9.0
Range	Silverlink 600	Temperature Range °C	130-190
Power Type	Electric	IP Rating	IP33
Unit Type	Counter-top	Temperature Control	Mechanical
Available in UK Only	No		
UK Warranty	2 Years Parts and Labour Warranty		
Export Warranty	Contact your local dealer		
GTIN	5056105104636		

Key Specifications		Capacity	
Number of Baskets	2	Product Output per Hour	26kg chips - 12mm [frozen], 30kg chips - 12mm [chi]
Number of Tanks	1	Capacity Litres	15.0
Gravity Filtration	No		
Pumped Filtration	No		
Drain Location	Front-mounted		

Weights and Dimensions		Supply Connections	
Unit Height (External) mm	330	Requires Installation	Yes
Unit Width (External) mm	450	Requires Electrical Supply	Yes
Unit Depth (External) mm	632	UK 3 Pin Plug	No
Net Weight Kg	17.2	Requires Hardwiring	Yes
		Electrical Supply Rating Watts	9,000
		Single Phase Amps	39.0
		Single Phase Voltage	230
		Three Phase Amps	L1=13.0; L2=13.0; L3=13.0
		Three Phase Voltage	400

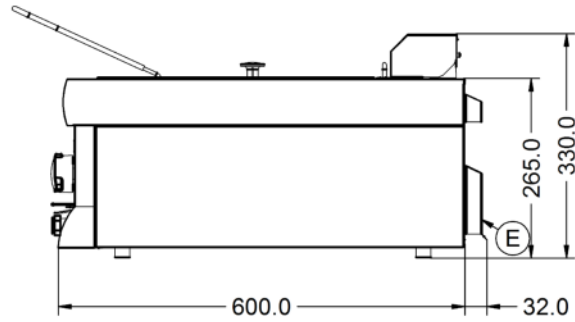
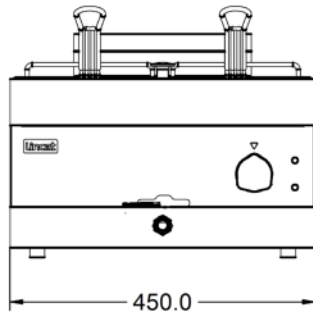
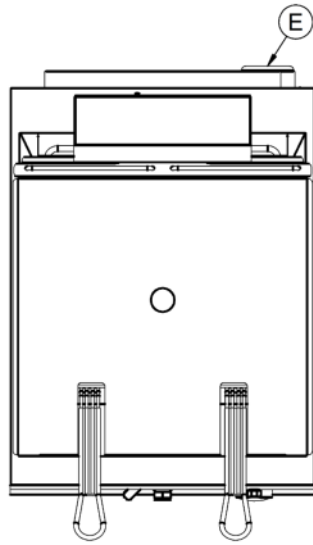
Shipping

Packed Weight Kg	18.92
Packed Height cm	49.5
Packed Width cm	70
Packed Depth cm	55

Available Accessories

BA96	BASKET SPUN DFSMALL
CC4	Lincat Silverlink 600 Free-standing Ambient Open-Top Pedestal with Doors - W 450 mm
CN4	Lincat Silverlink 600 Free-standing Ambient Open-Top Pedestal without Doors - W 450 mm
DC03	DONUT KIT FOR DF46
HC4	Lincat Silverlink 600 Free-standing Heated Open-Top Pedestal with Doors - W 450 mm - 0.5 kW
HCL4	Lincat Silverlink 600 Free-standing Heated Pedestal with Legs and Doors - W 450 mm - 0.5 kW
SLS4	Lincat Silverlink 600 Free-standing Floor Stand - for units W 450 mm

Technical Picture



Lincat Limited

Whisby Road,
Lincoln, LN6 3QZ,
United Kingdom

Company No: 2175448

A member company of



Customer Care

Tel: +44 1522 875500
Email: care@lincat.co.uk

Export Customers

Tel: +44 1522 875536
Email: export@lincat.co.uk

Opening Hours

Monday – Friday:
8.30am – 5pm