



GG1P - Lincat Lynx 400 Electric Counter-top Heavy Duty Panini Grill - Ribbed Upper & Lower Plates - W 395 mm - 3.0 kW

Designed to seal in the juices, the quick-heating 3kW Lynx 400 Panini Grill produces mouthwatering results every time, whether you're making toasted sandwiches or grilling succulent meats.

- ✔ Heavy duty, higher powered griddle
- ✔ Ribbed plates for attractive branding marks
- ✔ Higher capacity for increased output in busy periods
- ✔ Ideal for front of house use
- ✔ Great for sealing in juices and flavour for succulent results - and minimal shrinkage
- ✔ Cast aluminium plates give an even heat distribution
- ✔ Non stick coated plates for easy cleaning
- ✔ Plug and play for an easy installation

Specifications

Summary

| | |
|-----------------------------|-----------------------------------|
| Brand | Lincat |
| Range | Lynx 400 |
| Power Type | Electric |
| Unit Type | Counter-top |
| Available in UK Only | No |
| UK Warranty | 2 Years Parts and Labour Warranty |
| Export Warranty | Contact your local dealer |
| GTIN | 5056105101178 |

Power and Performance

| | |
|--|------------|
| Total Power kW | 3.00 |
| IP Rating | IP23 |
| Cooking Area (Width x Depth) mm | 358 x 258 |
| Temperature Control | Mechanical |

Key Specifications

| | |
|-------------------------------------|-----------|
| Top Grill Plate Surface Type | Ribbed |
| Grill Plate Surface Type | Ribbed |
| Grill Plate Material | Aluminium |

Weights and Dimensions

| | |
|----------------------------------|------|
| Unit Height (External) mm | 276 |
| Unit Width (External) mm | 395 |
| Unit Depth (External) mm | 356 |
| Net Weight Kg | 23.1 |

Supply Connections

| | |
|---------------------------------------|-------|
| Requires Installation | No |
| Requires Electrical Supply | Yes |
| UK 3 Pin Plug | Yes |
| Requires Hardwiring | No |
| Electrical Supply Rating Watts | 3,000 |
| Single Phase Amps | 13.0 |
| Single Phase Voltage | 230 |

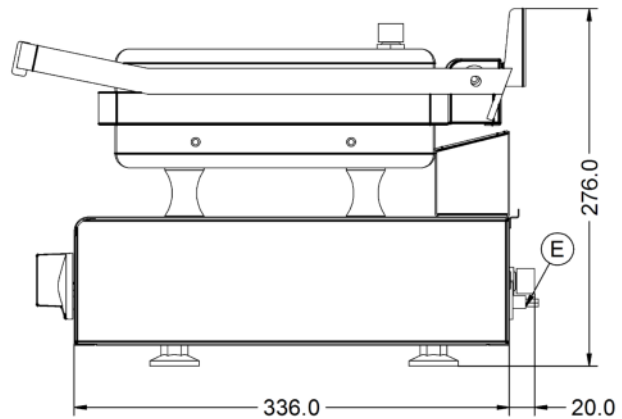
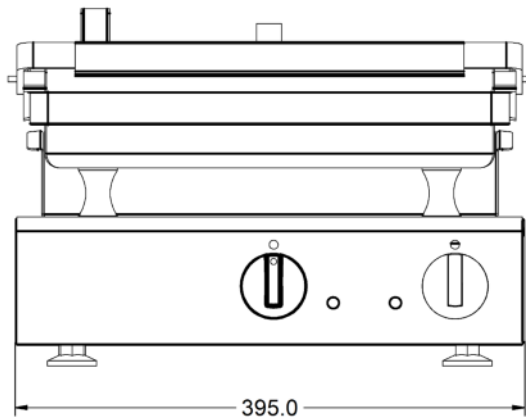
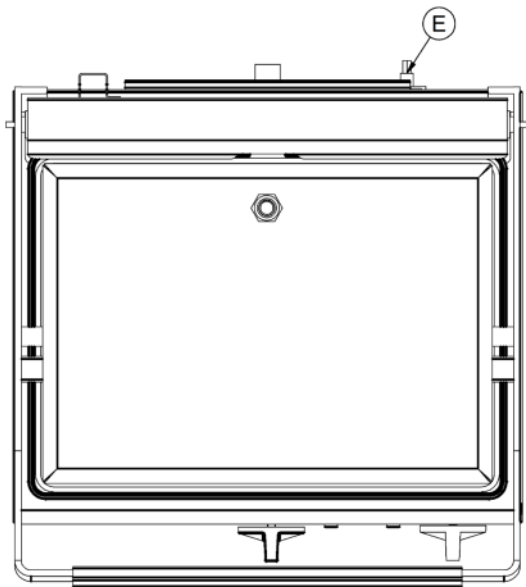
Shipping

| | |
|-------------------------|-------|
| Packed Weight Kg | 25.41 |
| Packed Height cm | 42 |
| Packed Width cm | 48.5 |
| Packed Depth cm | 48.5 |

Available Accessories

| | |
|------------|---------------------------|
| SS1 | SANDWICH SPACER - FOR GG1 |
|------------|---------------------------|

Technical Picture



Lincat Limited

Whisby Road,
Lincoln, LN6 3QZ,
United Kingdom

Company No: 2175448

A member company of



Customer Care

Tel: +44 1522 875500
Email: care@lincat.co.uk

Export Customers

Tel: +44 1522 875536
Email: export@lincat.co.uk

Opening Hours

Monday – Friday:
8.30am – 5pm