



PHEAS01 - Lincat Phoenix Electric Counter-top Adjustable Salamander Grill - W 600mm - 4.5 kW

The 'no frills' Phoenix Electric Salamander offers energy efficiency with three cook zones which heat up in just eight seconds at a cost effective price.

- ✓ Fast heat up 'Hi-Light' elements - ready to cook in just 8 seconds
- ✓ Height adjustable grill hood reduces heat loss to surrounding area
- ✓ Three cook zones - only turn on the area you need
- ✓ GN 1/1 compatible
- ✓ 15 minute timer

Specifications

Summary

Brand	Lincat
Range	Phoenix
Power Type	Electric
Unit Type	Counter-top
Available in UK Only	No
UK Warranty	2 Years Parts and Labour Warranty
Export Warranty	Contact your local dealer
GTIN	5056105116431

Power and Performance

Total Power kW	4.5
IP Rating	IP24
Cooking Area (Width x Depth) mm	525 x 335
Temperature Control	Mechanical

Key Specifications

Number of Heat Zones	3
-----------------------------	---

Capacity

Gastronorm Capacity	1 x GN1/1
----------------------------	-----------

Weights and Dimensions

Unit Height (External) mm	544
Unit Width (External) mm	600
Unit Depth (External) mm	545
Net Weight Kg	59

Supply Connections

Requires Installation	Yes
UK 3 Pin Plug	No
Requires Hardwiring	Yes
Electrical Supply Rating Watts	4,500
Single Phase Amps	19.50
Single Phase Voltage	230
Three Phase Amps	L1=6.5; L2=6.5; L3=6.5
Three Phase Voltage	400

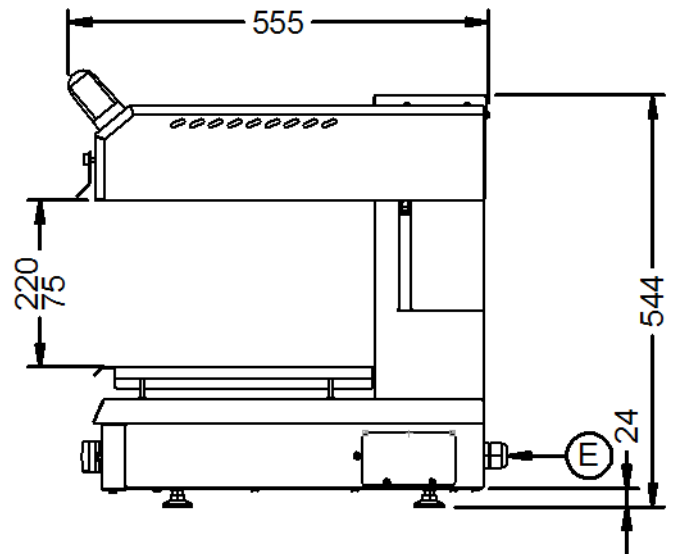
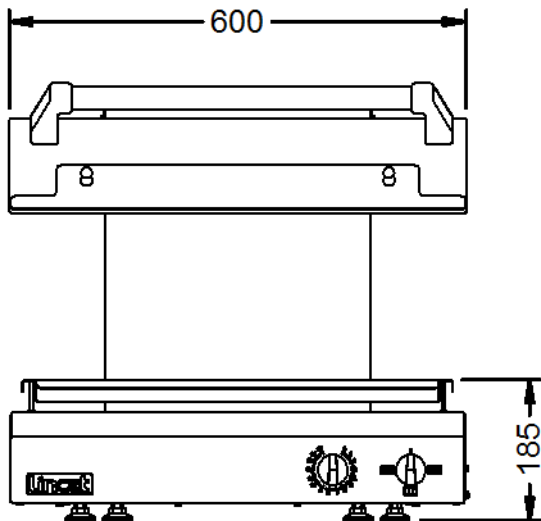
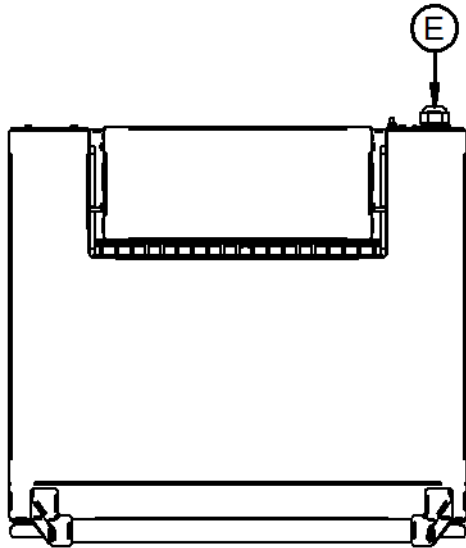
Shipping

Packed Weight Kg	64.9
Packed Height cm	70
Packed Width cm	80
Packed Depth cm	70

Available Accessories

BR75	NULL
-------------	------

Technical Picture





Lincat Limited

Whisby Road,
Lincoln, LN6 3QZ,
United Kingdom

Company No: 2175448

A member company of



Customer Care

Tel: +44 1522 875500
Email: care@lincat.co.uk

Export Customers

Tel: +44 1522 875536
Email: export@lincat.co.uk

Opening Hours

Monday – Friday:
8.30am – 5pm