



LPC - Lincat Lynx 400 Pizzachef Electric Counter-top Infra-Red Grill with Rod Shelf - W 552 mm - 3.0 kW

Producing perfect pizzas and paninis every time, the 3kW Lynx 400 Pizzachef Infra Red Grill heats up rapidly and saves energy as you only need to switch it on when you need it.

- ✔ Pizza Chef salamander grill perfect for pizzas and toasted sandwiches
- ✔ Rapid heat up - save energy by switching on just when you need to use it
- ✔ Variable heat control of lower elements
- ✔ Even heat provides maximum output
- ✔ Accurate electrical timer for precise cooking control
- ✔ Enamel fascia for easy cleaning
- ✔ Six clip-in, user-changeable quartz infrared elements
- ✔ Rod shelf with stay cool handle, supplied as standard
- ✔ Plug and play for an easy installation

Specifications

Summary

Brand	Lincat
Range	Lynx 400
Power Type	Electric
Unit Type	Counter-top
Available in UK Only	No
UK Warranty	2 Years Parts and Labour Warranty
Export Warranty	Contact your local dealer
GTIN	5056105101208

Power and Performance

Total Power kW	3.0
IP Rating	IP23
Temperature Control	Mechanical

Key Specifications

Number of Shelves included	1
Number of Shelf Positions	1
Number of Heat Zones	1

Capacity

Product Output per Hour	216 toast slices, 96 toasted sandwiches, 28 x 9" [
--------------------------------	--

Weights and Dimensions

Unit Height (External) mm	325
Unit Width (External) mm	552
Unit Depth (External) mm	302
Shelf Dimensions Width mm	460
Shelf Dimensions Depth mm	270
Net Weight Kg	12.1

Supply Connections

Requires Installation	No
UK 3 Pin Plug	Yes
Requires Hardwiring	No
Electrical Supply Rating Watts	3,000
Single Phase Amps	13.00
Single Phase Voltage	230

Shipping

Packed Weight Kg	13.31
Packed Height cm	49.5
Packed Width cm	70
Packed Depth cm	55

Available Accessories

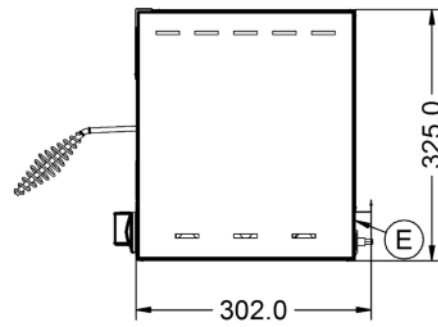
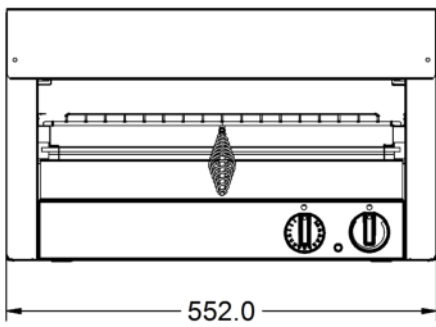
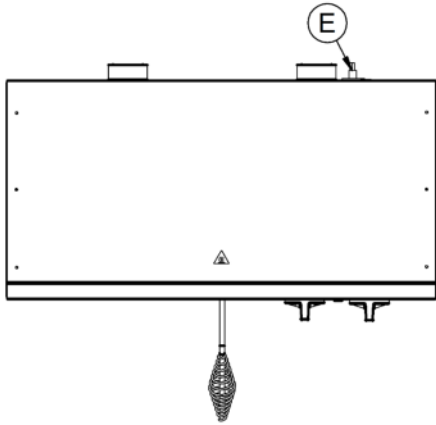
BR15	Wall Bracket for LGT/GR3
-------------	--------------------------

Available Accessories

TO10

NULL

Technical Picture





Lincat Limited

Whisby Road,
Lincoln, LN6 3QZ,
United Kingdom

Company No: 2175448

A member company of



Customer Care

Tel: +44 1522 875500
Email: care@lincat.co.uk

Export Customers

Tel: +44 1522 875536
Email: export@lincat.co.uk

Opening Hours

Monday – Friday:
8.30am – 5pm