



## OE8303 - Lincat Opus 800 Electric Counter-top Salamander Grill - W 890 mm - 5.4 kW

A fast-heating Opus 800 Electric Salamander Grill with powerful heating elements together with the versatility that comes with two independently controlled heat zones.

- ✓ Powerful heating elements, for reliability and rapid heat up
- ✓ Maximum versatility with left and right independently controlled heat zones
- ✓ Four shelf positions with horizontal or angled settings
- ✓ GN 1/1 compatible
- ✓ Enamelled front for durability

### Specifications

#### Summary

<b>Brand</b>	Lincat
<b>Range</b>	Opus 800
<b>Power Type</b>	Electric
<b>Unit Type</b>	Counter-top
<b>Available in UK Only</b>	No
<b>UK Warranty</b>	2 Years Parts and Labour Warranty
<b>Export Warranty</b>	Contact your local dealer
<b>GTIN</b>	5056105102618

#### Power and Performance

<b>Total Power kW</b>	5.4
<b>IP Rating</b>	IP23
<b>Cooking Area (Width x Depth) mm</b>	615 x 360
<b>Temperature Control</b>	Mechanical

#### Key Specifications

<b>Number of Shelves included</b>	1
<b>Number of Shelf Positions</b>	4
<b>Number of Heat Zones</b>	2

#### Capacity

<b>Gastronorm Capacity</b>	1 x GN1/1
<b>Product Output per Hour</b>	76 x 225g [8oz] steaks [chilled]

#### Weights and Dimensions

<b>Unit Height (External) mm</b>	510
<b>Unit Width (External) mm</b>	890
<b>Unit Depth (External) mm</b>	520
<b>Shelf Dimensions Width mm</b>	615
<b>Shelf Dimensions Depth mm</b>	360
<b>Net Weight Kg</b>	59

#### Supply Connections

<b>Requires Installation</b>	Yes
<b>UK 3 Pin Plug</b>	No
<b>Requires Hardwiring</b>	Yes
<b>Electrical Supply Rating Watts</b>	5,400
<b>Single Phase Amps</b>	23.50
<b>Single Phase Voltage</b>	230
<b>Three Phase Amps</b>	L1=11.8; L2=11.8; L3=N/A
<b>Three Phase Voltage</b>	400

#### Shipping

<b>Packed Weight Kg</b>	64.9
<b>Packed Height cm</b>	84
<b>Packed Width cm</b>	100
<b>Packed Depth cm</b>	85

### Available Accessories

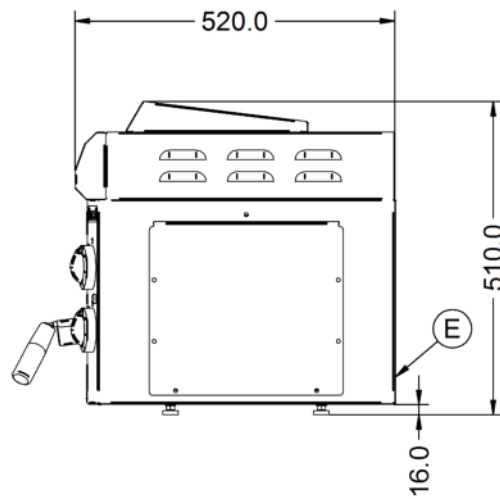
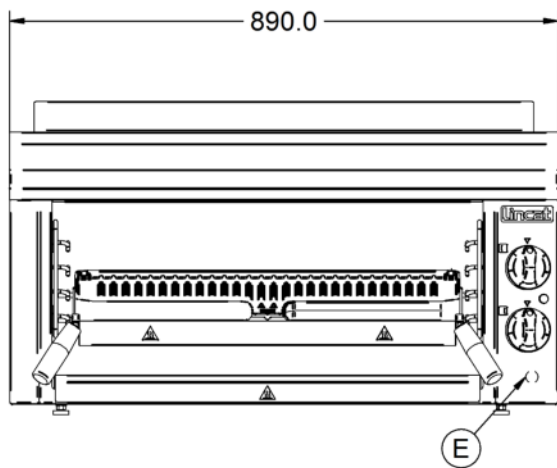
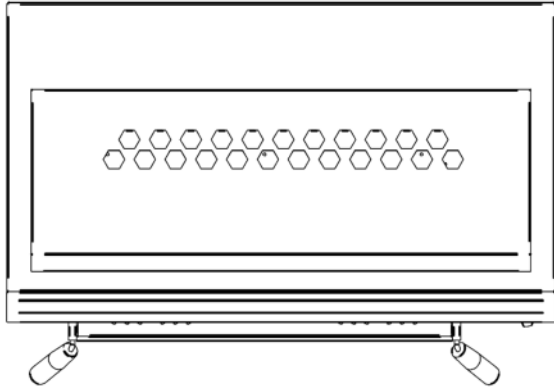
<b>BR10</b>	OG8302 BRANDING GRID
<b>OA8907</b>	Lincat Opus 800 Free-standing Floor Stand with Legs - for units W 800 mm
<b>OA8911</b>	WALL BRACKET OG8302/OE8303
<b>OA8912</b>	Lincat Opus 800 Free-standing Floor Stand with Legs - for units W 900 mm

Available Accessories

OA8918

Lincat Opus 800 Free-standing Bench Stand - for units W 900 mm

Technical Picture





**Lincat Limited**

Whisby Road,  
Lincoln, LN6 3QZ,  
United Kingdom

**Company No:** 2175448

A member company of



**Customer Care**

**Tel:** +44 1522 875500  
**Email:** care@lincat.co.uk

**Export Customers**

**Tel:** +44 1522 875536  
**Email:** export@lincat.co.uk

**Opening Hours**

**Monday – Friday:**  
8.30am – 5pm