



## OE8304 - Lincat Opus 800 Electric Counter-top Salamander Grill - W 800 mm - 4.4 kW

A fast-heating Opus 800 Electric Salamander Grill with powerful heating elements and four shelf positions with horizontal or angled settings for added flexibility.

- ✔ Powerful heating elements, for reliability and rapid heat up
- ✔ Four shelf positions with horizontal or angled settings

### Specifications

#### Summary

<b>Brand</b>	Lincat
<b>Range</b>	Opus 800
<b>Power Type</b>	Electric
<b>Unit Type</b>	Counter-top
<b>Available in UK Only</b>	No
<b>UK Warranty</b>	2 Years Parts and Labour Warranty
<b>Export Warranty</b>	Contact your local dealer
<b>GTIN</b>	5056105102625

#### Power and Performance

<b>Total Power kW</b>	4.4
<b>IP Rating</b>	IP23
<b>Cooking Area (Width x Depth) mm</b>	530 x 265
<b>Temperature Control</b>	Mechanical

#### Key Specifications

<b>Number of Shelves included</b>	1
<b>Number of Shelf Positions</b>	4
<b>Number of Heat Zones</b>	1

#### Capacity

<b>Gastronorm Capacity</b>	1 x GN1/1
----------------------------	-----------

#### Weights and Dimensions

<b>Unit Height (External) mm</b>	400
<b>Unit Width (External) mm</b>	800
<b>Unit Depth (External) mm</b>	415
<b>Shelf Dimensions Width mm</b>	530
<b>Shelf Dimensions Depth mm</b>	265
<b>Net Weight Kg</b>	34.6

#### Supply Connections

<b>Requires Installation</b>	Yes
<b>UK 3 Pin Plug</b>	No
<b>Requires Hardwiring</b>	Yes
<b>Electrical Supply Rating Watts</b>	4,400
<b>Single Phase Amps</b>	19.10
<b>Single Phase Voltage</b>	230

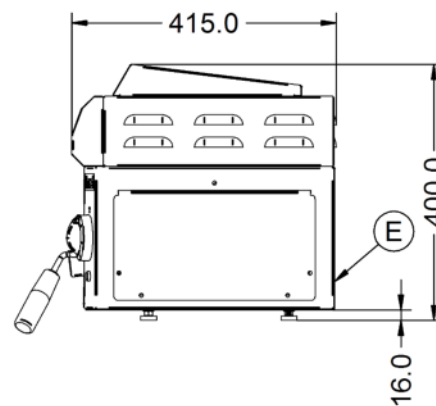
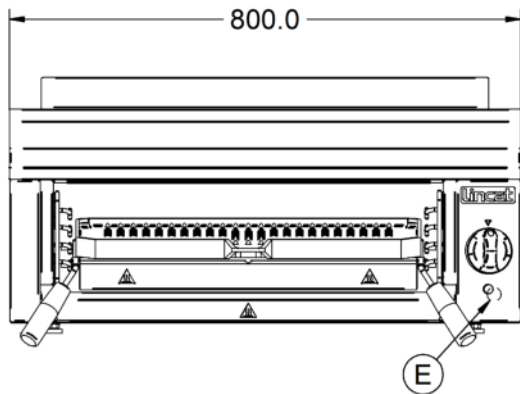
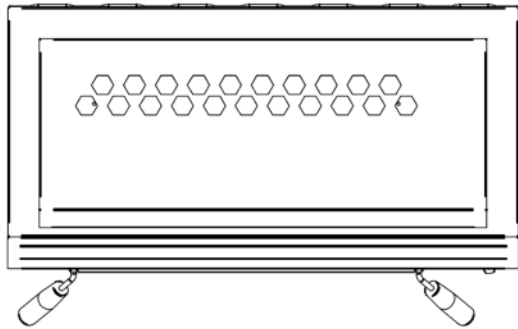
#### Shipping

<b>Packed Weight Kg</b>	38.06
<b>Packed Height cm</b>	80
<b>Packed Width cm</b>	91
<b>Packed Depth cm</b>	51

### Available Accessories

<b>OA8907</b>	Lincat Opus 800 Free-standing Floor Stand with Legs - for units W 800 mm
<b>OA8908</b>	Lincat Opus 800 Free-standing Bench Stand - for units W 800 mm
<b>OA8909</b>	WALL BRACKET OG8301/OE8304
<b>OA8912</b>	Lincat Opus 800 Free-standing Floor Stand with Legs - for units W 900 mm
<b>OA8918</b>	Lincat Opus 800 Free-standing Bench Stand - for units W 900 mm
<b>OA8976</b>	BRANDING PLATE ACCESSORY FOR OG8301

Technical Picture



**Lincat Limited**

Whisby Road,  
Lincoln, LN6 3QZ,  
United Kingdom

**Company No:** 2175448

A member company of



**Customer Care**

**Tel:** +44 1522 875500  
**Email:** care@lincat.co.uk

**Export Customers**

**Tel:** +44 1522 875536  
**Email:** export@lincat.co.uk

**Opening Hours**

**Monday – Friday:**  
8.30am – 5pm