



OG8202/R/P - Lincat Opus 800 Propane Gas Counter-top Griddle - Ribbed Plate - W 900 mm - 23.0 kW

With a half ribbed plate option for attractive branding presentation marks, the Opus 800 Gas Ribbed Plate Griddle is designed to create appetizing food accurately.

- ✓ Half ribbed plate option for attractive branding presentation marks
- ✓ Convenient piezo ignition and pilot Burners for stand-by operation
- ✓ Maximised cooking area, griddle plates sit flush to the sides of the unit
- ✓ Flame failure protection
- ✓ Precise thermostatic control up to 300°C for consistent results and economical operation

Specifications

Summary

Brand	Lincat
Range	Opus 800
Power Type	Gas
Gas Type	Propane Gas
Unit Type	Counter-top
Available in UK Only	No
UK Warranty	2 Years Parts and Labour Warranty
Export Warranty	Contact your local dealer
GTIN	5056105102762

Power and Performance

BTU per Hour	78,476
Total Power kW	23.0
Temperature Range °C	90-280
Cooking Area (Width x Depth) mm	890 x 600
Temperature Control	Mechanical

Key Specifications

Number of Heat Zones	2
Grill Plate Surface Type	Half-ribbed
Grill Plate Material	Steel

Capacity

Product Output per Hour	120 x 225g [8oz] steaks [chilled]
--------------------------------	-----------------------------------

Weights and Dimensions

Unit Height (External) mm	532
Unit Width (External) mm	900
Unit Depth (External) mm	800
Net Weight Kg	122.5

Supply Connections

Requires Installation	Yes
Requires Electrical Supply	No
Gas Connection BSP	1/2"
Gas Consumption at full rate Propane m³ per Hour	1.64
Gas Pressure Propane mbar	37.0
Total heat input at full rate Propane kW	23.0
Total heat input at full rate Propane BTU per hour	23.0

Shipping

Packed Weight Kg	134.75
Packed Height cm	63
Packed Width cm	100
Packed Depth cm	85

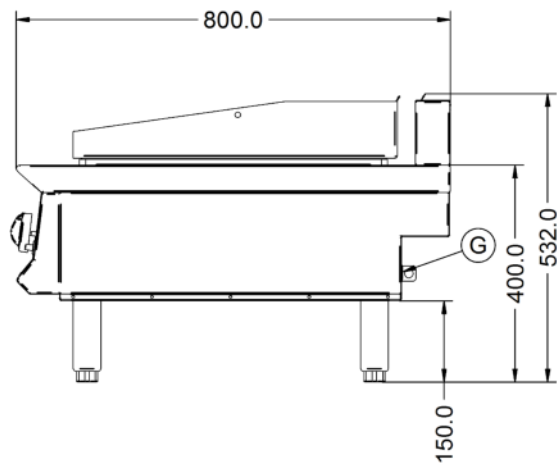
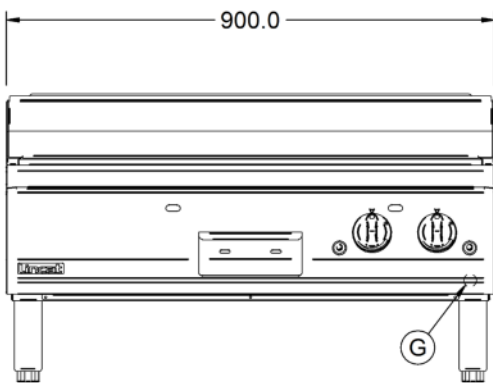
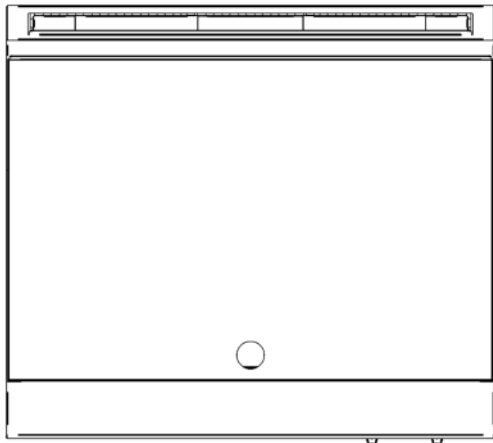
Available Accessories

OA8914	Lincat Opus 800 Free-standing Floor Stand with Legs - for units W 900 mm
OA8914/C	Lincat Opus 800 Free-standing Floor Stand with Castors - for units W 900 mm

Available Accessories

- OA8973 Lincat Opus 800 Free-standing Pedestal with Doors and Legs - for units W 900 mm
- OA8973/C Lincat Opus 800 Free-standing Pedestal with Doors and Castors - for units W 900 mm

Technical Picture





Lincat Limited

Whisby Road,
Lincoln, LN6 3QZ,
United Kingdom

Company No: 2175448

A member company of



Customer Care

Tel: +44 1522 875500
Email: care@lincat.co.uk

Export Customers

Tel: +44 1522 875536
Email: export@lincat.co.uk

Opening Hours

Monday – Friday:
8.30am – 5pm