



OE8413 - Lincat Opus 800  
Electric Counter-top  
Direct Cook Chargrill - W  
600 mm - 8.4 kW

Create perfectly cooked, expertly  
branded burgers and steaks

- ✔ Food cooked directly on elements, so no need for separate branding bars
- ✔ Consistent temperature across whole cooking area
- ✔ Powerful elements with rapid heat up
- ✔ Temperature range from 90°C to 400°C
- ✔ Removable tank liner for easy cleaning
- ✔ No water connection required

**Specifications**

**Summary** **Power and Performance**

<p><b>Brand</b> Lincat</p> <p><b>Range</b> Opus 800</p> <p><b>Power Type</b> Electric</p> <p><b>Unit Type</b> Counter-top</p> <p><b>Available in UK Only</b> No</p> <p><b>UK Warranty</b> 2 Years Parts and Labour Warranty</p> <p><b>Export Warranty</b> Contact your local dealer</p> <p><b>GTIN</b> 5056105118343</p>	<p><b>Total Power kW</b> 8.40</p> <p><b>Temperature Range °C</b> 90-400</p> <p><b>IP Rating</b> IPX4</p> <p><b>Cooking Area (Width x Depth) mm</b> 450 x 590</p> <p><b>Temperature Control</b> Mechanical</p>
--	---

**Key Specifications**

<b>Number of Heat Zones</b>	1
-----------------------------	---

**Weights and Dimensions** **Supply Connections**

<p><b>Unit Height (External) mm</b> 592</p> <p><b>Unit Width (External) mm</b> 600</p> <p><b>Unit Depth (External) mm</b> 800</p> <p><b>Net Weight Kg</b> 58.1</p>	<p><b>Requires Installation</b> Yes</p> <p><b>Requires Electrical Supply</b> Yes</p> <p><b>UK 3 Pin Plug</b> No</p> <p><b>Requires Hardwiring</b> Yes</p> <p><b>Electrical Supply Rating Watts</b> 8,400</p> <p><b>Three Phase Amps</b> L1=11; L2=11; L3=15</p> <p><b>Three Phase Voltage</b> 400</p>
--	---

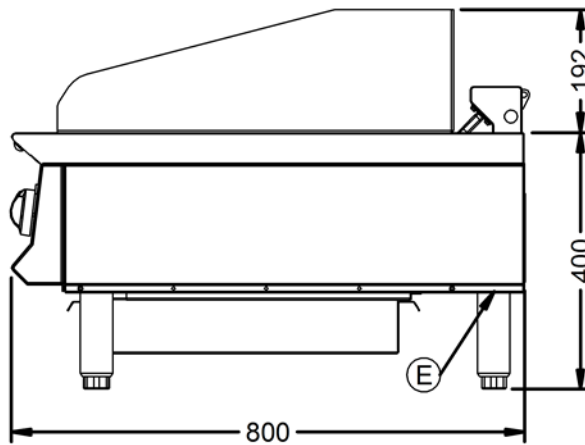
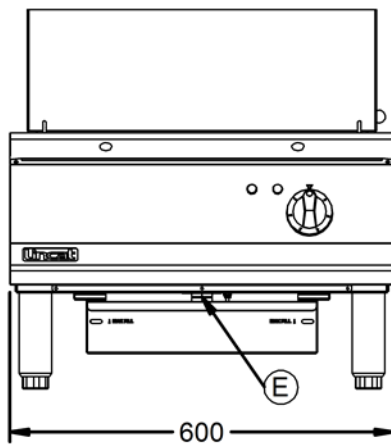
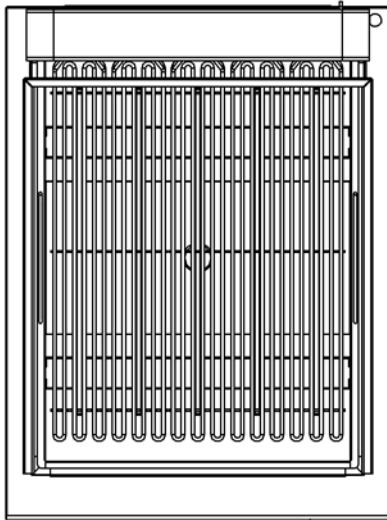
**Shipping**

<b>Packed Weight Kg</b>	63.91
<b>Packed Height cm</b>	75
<b>Packed Width cm</b>	70
<b>Packed Depth cm</b>	85

**Available Accessories**

<b>OA8989</b>	HOLDING SHELF FOR OG8401 & OG8403
<b>OA8991</b>	Lincat Opus 800 Free-standing Floor Stand with Legs - for Synergy Grill W 600 mm
<b>OA8991/C</b>	Lincat Opus 800 Free-standing Floor Stand with Castors - for Synergy Grill W 600 mm
<b>OA9002</b>	NULL

**Technical Picture**



**Lincat Limited**

Whisby Road,  
Lincoln, LN6 3QZ,  
United Kingdom

**Company No:** 2175448

A member company of



**Customer Care**

**Tel:** +44 1522 875500  
**Email:** care@lincat.co.uk

**Export Customers**

**Tel:** +44 1522 875536  
**Email:** export@lincat.co.uk

**Opening Hours**

**Monday – Friday:**  
8.30am – 5pm