



OG8411/P - Lincat Opus 800 Propane Gas Synergy Grill - W 900 mm - 12.6 kW

Lincat is delighted to be able to offer the revolutionary Synergy Grill technology as a suited solution within our Opus 800 Series. Combining high power with low energy consumption.

- ✓ Suites with Opus 800 series
- ✓ Patented award winning Synergy Grill technology delivers incredibly hot temperatures yet uses an average of 59% less gas than a standard grill
- ✓ Gently smokes food, giving you incredible flavour
- ✓ Clear contrasting bar marks
- ✓ Quickest grill on the market to clean, once cold, you can simply vacuum out the dust that's left
- ✓ No fat means no fat tray to clean
- ✓ The simplest grill on the market to operate
- ✓ Safety is paramount, one of the safest units to operate

Specifications

Summary

| | |
|-----------------------------|-----------------------------------|
| Brand | Lincat |
| Range | Opus 800 |
| Power Type | Gas |
| Gas Type | Natural Gas |
| Unit Type | Counter-top |
| Available in UK Only | No |
| UK Warranty | 2 Years Parts and Labour Warranty |
| Export Warranty | Contact your local dealer |
| GTIN | 5056105118138 |

Power and Performance

| | |
|----------------------------------------|------------|
| BTU per Hour | 42,990 |
| Total Power kW | 12.6 |
| Cooking Area (Width x Depth) mm | 780 x 495 |
| Temperature Control | Mechanical |

Key Specifications

| | |
|-----------------------------|---|
| Number of Heat Zones | 2 |
|-----------------------------|---|

Weights and Dimensions

| | |
|----------------------------------|-----|
| Unit Height (External) mm | 790 |
| Unit Width (External) mm | 900 |
| Unit Depth (External) mm | 800 |
| Net Weight Kg | 137 |

Supply Connections

| | |
|-----------------------------------------------------------|--------|
| Requires Installation | Yes |
| Requires Electrical Supply | Yes |
| UK 3 Pin Plug | Yes |
| Single Phase Amps | 10 |
| Single Phase Voltage | 230 |
| Gas Connection BSP | 3/4" |
| Gas Consumption at full rate Propane m³ per Hour | 0.9 |
| Gas Pressure Propane mbar | 37 |
| Total heat input at full rate Propane kW | 0.81 |
| Total heat input at full rate Propane BTU per hour | 42,990 |

Shipping

| | |
|-------------------------|-------|
| Packed Weight Kg | 150.7 |
| Packed Height cm | 104 |
| Packed Width cm | 100 |
| Packed Depth cm | 85 |

Available Accessories

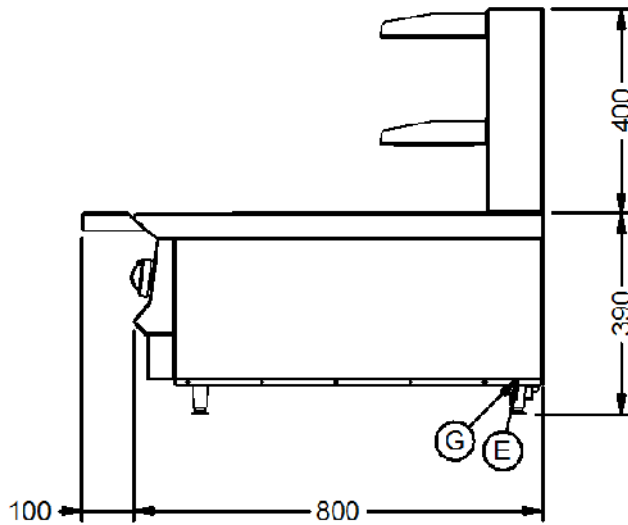
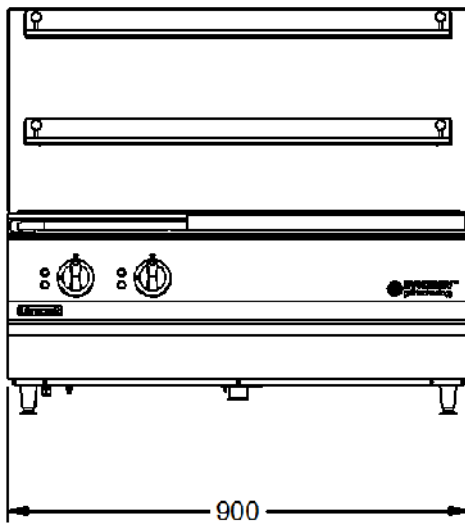
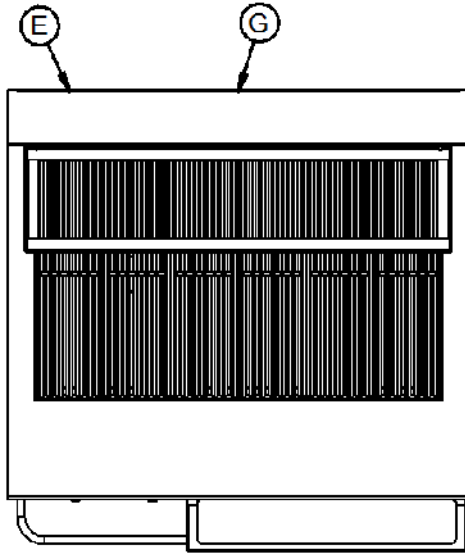
| | |
|---------------|----------------------------------------------------------------------------------|
| OA8992 | Lincat Opus 800 Free-standing Floor Stand with Legs - for Synergy Grill W 900 mm |
|---------------|----------------------------------------------------------------------------------|

Available Accessories

OA8992/C

Lincat Opus 800 Free-standing Floor Stand with Castors - for Synergy Grill W 900 mm

Technical Picture





Lincat Limited

Whisby Road,
Lincoln, LN6 3QZ,
United Kingdom

Company No: 2175448

A member company of



Customer Care

Tel: +44 1522 875500
Email: care@lincat.co.uk

Export Customers

Tel: +44 1522 875536
Email: export@lincat.co.uk

Opening Hours

Monday – Friday:
8.30am – 5pm