



J10/N - Lincat Silverlink 600 Natural Gas Free-standing Twin Tank Fryer - 2 Baskets - W 600 mm - 24.0 kW

Deliver perfectly crisp on the outside and fluffy on the inside chips time after time with the Silverlink 600 Free Standing Gas Fryer.

- ✓ Double tank twin basket operation giving you the flexibility to cook different foods or loads simultaneously, delivering 46kg of chips an hour
- ✓ Piezo ignition for easy lighting
- ✓ Thermostatically controlled to give accurate cooking temperatures throughout cooking. Flame failure device and top temperature cut out ensures safe operation.
- ✓ Heavy duty nickel plated baskets for the most demanding of operations
- ✓ Cool zone collects cooking debris - gives cleaner cooking results and saves money by prolonging the life of the oil
- ✓ Internal drain off tap for easy removal of cooking oil

Specifications

Summary

| | |
|-----------------------------|-----------------------------------|
| Brand | Lincat |
| Range | Silverlink 600 |
| Power Type | Gas |
| Gas Type | Natural Gas |
| Unit Type | Free-standing |
| Available in UK Only | No |
| UK Warranty | 2 Years Parts and Labour Warranty |
| Export Warranty | Contact your local dealer |
| GTIN | 5056105105084 |

Power and Performance

| | |
|-----------------------------|------------|
| BTU per Hour | 81,880 |
| Total Power kW | 24.0 |
| Temperature Range °C | 110-190 |
| Temperature Control | Mechanical |

Key Specifications

| | |
|---------------------------|----------|
| Number of Baskets | 2 |
| Number of Tanks | 2 |
| Gravity Filtration | No |
| Pumped Filtration | No |
| Drain Location | Internal |

Capacity

| | |
|--------------------------------|--|
| Product Output per Hour | 36kg chips -12mm [frozen], 46kg chips - 12mm [chil |
| Capacity Litres | 2 x 12.0 |

Weights and Dimensions

| | |
|----------------------------------|------|
| Unit Height (External) mm | 1060 |
| Unit Width (External) mm | 600 |
| Unit Depth (External) mm | 690 |
| Net Weight Kg | 73.7 |

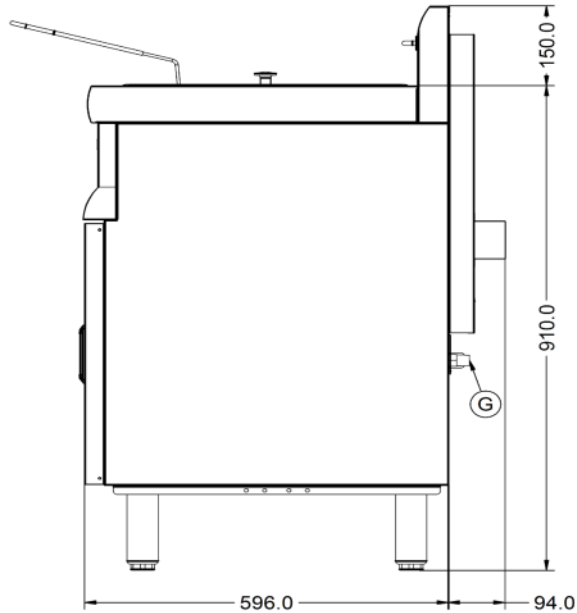
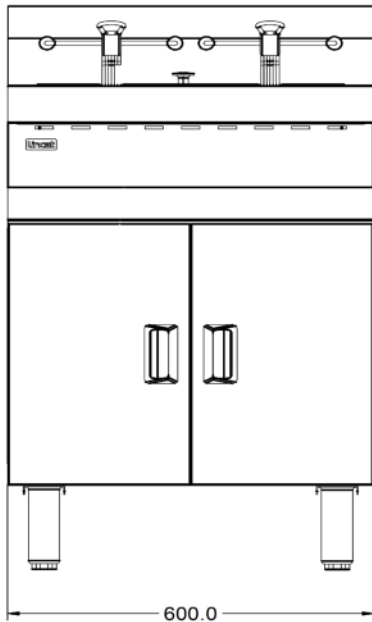
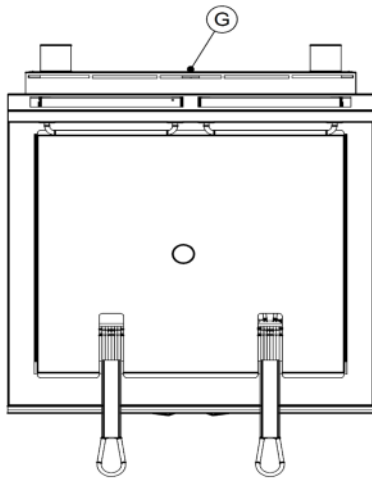
Supply Connections

| | |
|---|--------|
| Requires Installation | Yes |
| Requires Electrical Supply | No |
| Gas Connection BSP | 1/2" |
| Gas Consumption at full rate Natural m³ per Hour | 2.29 |
| Gas Pressure Natural mbar | 16.3 |
| Total heat input at full rate Natural kW | 22.79 |
| Total heat input at full rate Natural BTU per hour | 74,000 |

Shipping

| | |
|------------------|-------|
| Packed Weight Kg | 81.07 |
| Packed Height cm | 122 |
| Packed Width cm | 81.3 |
| Packed Depth cm | 68.5 |

Technical Picture





Lincat Limited

Whisby Road,
Lincoln, LN6 3QZ,
United Kingdom

Company No: 2175448

A member company of



Customer Care

Tel: +44 1522 875500
Email: care@lincat.co.uk

Export Customers

Tel: +44 1522 875536
Email: export@lincat.co.uk

Opening Hours

Monday – Friday:
8.30am – 5pm