

Project _____
 Item _____
 Quantity _____
 CSI Section 11400
 Approved _____
 Date _____

PowerRunner™ - SPV Gas Fryer

PowerRunner™ - SPV Gas Fryer

Models

1PRG50T-SPV

This is a standalone economy fryer with 120,000 Btu/hr specifically designed to be a direct replacement for the Pitco economy SG14. The cabinet was redesigned to match the shorter Pitco footprint and has a special top connecting strip that allows it to be connected to Pitco's economy SG14.



1PRG50T-SPV

Standard Features

- Thermo-Tube design heat transfer system
- 50-lb. (25 liter) oil capacity
- 120,000 Btu/hr. (27,740 kcal) (32.2kw)
- 14" x 14" x 3-1/2" (35 x 35 x 8.9 cm) frying area
- Millivolt controller - requires no electrical hookup
- Robust, RTD, 1° compensating temperature probe
- Stainless steel frypot, front, door, and backsplash/ flue cover with aluminized sides
- Two twin baskets
- Combination gas valve with regulator
- Wide cold zone
- 6" (15 cm) steel legs with 1" adjustment
- Wire basket hanger
- Basket support rack
- 3/4" NPT gas connection

Options & Accessories

- Frypot covers
- Casters
- Full basket
- Triplet basket
- Crisper tray
- Sediment tray
- Splash shield
- Top connecting strip
- Front work shelf

Specifications

Designed for versatile frying production and solid performance

High-production cooking capacity and fast recovery meet high-volume frying needs. These all-purpose fryers feature outstanding Dean reliability and durability and achieve long and dependable life through simplicity of design. This is a standalone economy fryer with 120,000 Btu/hr specifically designed to be a direct replacement for the Pitco economy SG14. The cabinet was redesigned to match the shorter Pitco footprint and has a special top connecting strip that allows it to be connected to Pitco's economy SG14.

The 50-lb. oil capacity accommodates a wide range of frying needs -- everything from French fries, breaded products and specialty foods.

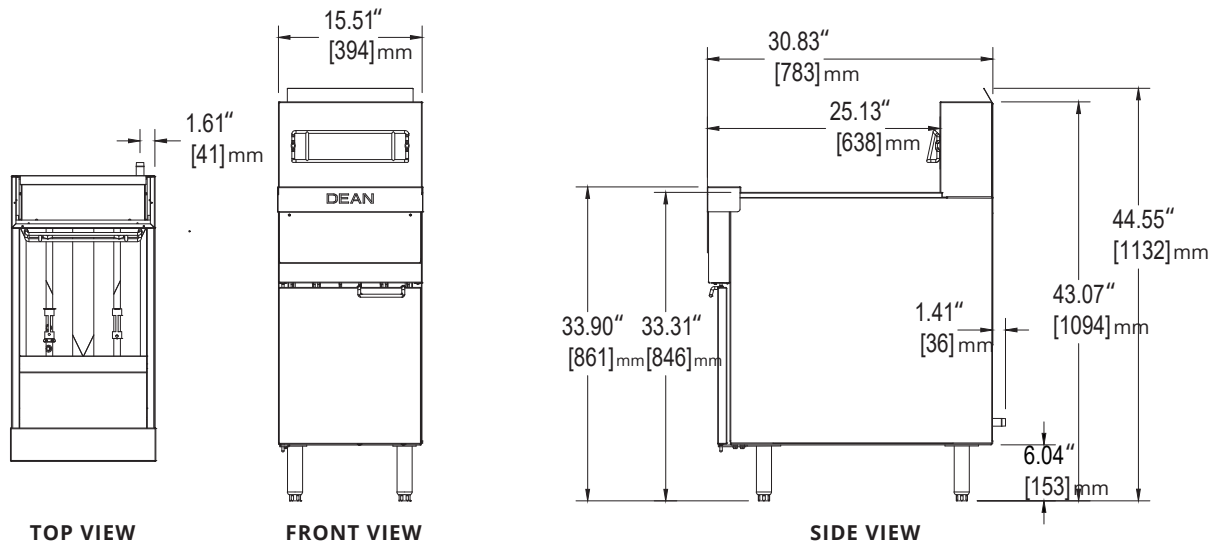
Make the most of your energy dollars with Dean's exclusive Thermo-Tube design. A larger heat-transfer area reduces the heat per square inch needed to attain and maintain desired cooking temperatures, which reduces the oil's heat load and therefore

the breakdown of the oil. Stainless steel baffles and reliable, built-to-last burners keep maintenance to a minimum.

Precise temperature control during heat-up and recovery protects oil from excessive heat damage.

Dean's wide cold zone with forward sloping bottom and 1-1/4" drain valve help collect and remove sediment from the frypot to safeguard oil quality and support routine frypot cleaning.





DIMENSIONS

| Model No. | Oil Capacity | Overall Size (cm) | | | Drain Valve Height (cm) | No. Of Tubes | Shipping Information | | | | | |
|-------------|------------------|-------------------|--------------|---------------|-------------------------|--------------|----------------------|-------|---------|-----------------|------------|-------------|
| | | Width | Depth | Height | | | Weight | Class | Cu. Ft. | Dimensions (cm) | | |
| 1PRG50T-SPV | 50 lb (25 liter) | 15-1/2" (39.4) | 30-3/4" (78) | 44-1/2" (113) | 17-1/2" (44) | 4 | 180 lbs. (82kg) | 85 | 22 | W 22" (56) | D 36" (91) | H 47" (119) |

NOTES

- 1-1/2" (3.8 cm) kitchen main manifold gas supply line required. Gas inlet size (I.D.) should be no smaller than that provided for connection to the fryers. See service manual and/or plumbing codes for proper pipe sizing. Recommended minimum store manifold pressure to be 6" W.C. for natural gas and 11" W.C. for LP gas. Check plumbing codes for proper supply line sizing to attain burner manifold pressure of 3.0" W.C. natural or 8.25" W.C. LP.

- Please specify: Natural or LP gas; altitude if between 2,000 - 6,000 feet (610 - 1,829 Meters).

DO NOT CURB MOUNT.

CLEARANCE INFORMATION

- A minimum of 24" (61.0 cm) should be provided at the front of the unit for servicing and proper operation, and 6" (15.2 cm) between the sides and rear of the fryer to any combustible material.

HOW TO SPECIFY

The following description will assist with ordering the features desired for this equipment:

1PRG50T-SPV - 50-lb. tube-type gas fryer with millivolt controller and durable temperature probe.

Welbilt reserves the right to make changes to the design or specifications without prior notice.