



燃氣燒鴨爐
Gas duck roaster

11寸強力爐頭，熱負荷16kW；外殼採用模具壓制而成，爐身各部分結合緊密，能有效防止熱氣散失；外殼有上、中、下三部分組成，運輸拆裝方便；耐熱不銹鋼反射板設計，經久耐用，節約能源，烘烤均勻；配置安全制，防止燃氣洩漏事故；獨立常明火種設置，安全可靠；設置與安全制聯動的自動脈衝電子點火，操作方便。

11" powerful burner, Power:16kw; Exterior body is formed by punching, compactly consisted by several parts, greatly prevent the heat from spilling out; Exterior body is consisted by three parts, upper, middle and under part, convenient for transportation; Stainless steel reflective board with heat-resistant, durable and saving energy; Equipped with safety valve to prevent gas leakage; Everlasting pilot, safe and reliable; Equipped with pulse electronic ignition which links with safety valve, convenient for operation.

燃氣燒鴨、燒豬爐（太空式）
Gas duck/pig roaster (full-height type)

雙層隔熱外身，耐熱不銹鋼反射板設計，經久耐用，節約能源，烘烤均勻；配置安全制，防止燃氣洩漏事故；獨立常明火種設置，熱電偶熄火保護裝置，安全可靠；設置與安全制聯動的自動脈衝電子點火，操作方便；頂部設置可旋轉掛架。

Double layered exterior body improves heat-insulation; stainless steel with heat-resistant reflective board, durable and energy saver; equipped with safety valve to prevent gas leakage; stand-by pilot, convenient for operation, safe and reliable; connected with pulse electronic ignition which links with safety valve; Equipped with rotating bracket on the top.

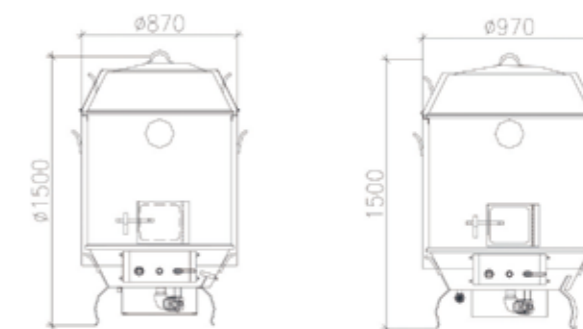


耐熱不銹鋼反射板，可輕易拆出清洗。
Stainless steel heat-resistant reflective board, can be easily removed for cleaning.

標配(Standard): 燒烤石

燃氣額定壓力(Rated gas pressure):

天然氣為2000Pa	NG 2000Pa
人工煤氣為1000Pa	TG 1000Pa
石油氣為2800Pa	LPG 2800Pa



CS-CDRE-8D

CS-CDRE-9D

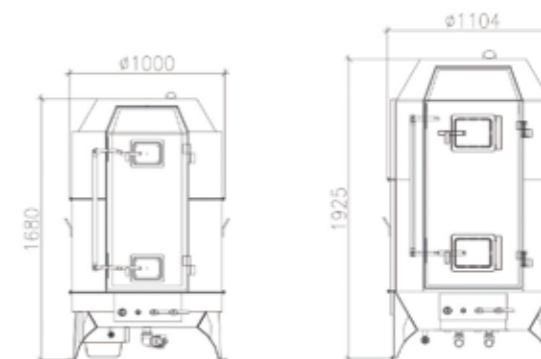
規格參數表

產品名稱	燃氣32寸雙層燒鴨爐（安全製）	燃氣36寸雙層燒鴨爐（安全製）
型號(Model)	CS-CDRE-8D	CS-CDRE-9D
規格(Dimension)	ø870*1500 mm	ø970*1500 mm
熱負荷(Heat Load)	16 kW	16 kW
進氣口(Gas Inlet)	DN20	DN20
標配(Standard)	燒烤石	燒烤石

標配(Standard): 燒烤石

燃氣額定壓力(Rated gas pressure):

天然氣為2000Pa	NG 2000Pa
人工煤氣為1000Pa	TG 1000Pa
石油氣為2800Pa	LPG 2800Pa



CS-CPRE-10S

CS-CPRE-11S

規格參數表

產品名稱	燃氣太空式燒鴨爐（安全製）	燃氣太空式燒豬爐（安全製）
型號(Model)	CS-CPRE-10S	CS-CPRE-11S
規格(Dimension)	ø1000*1680 mm	ø1104*1925 mm
熱負荷(Heat Load)	16 kW	28 kW
進氣口(Gas Inlet)	DN20	DN20
標配(Standard)	燒烤石	燒烤石
備注(Remarks)		