

- Water Pressure type washes rice gently.
- Operation is easy, so anyone can wash rice quickly.
- It is easy to care the body of the machine because it is made from all hygienic stainless.

Draft Type Water Pressure Rice Washer

It is hygienic because height from the floor is over 600mm!

Height from the floor to the basket receiver is between 660mm and 800mm. It is hygienic since the height meets the standard of "Manual of Facilities Hygiene Management for Mass Cooking" and "Standards of Hygiene Management for School Catering".

Space saving & easy to install!!

It can have wider choices of installation place because Rice pipe is designed on space saving at the upper main body. Moreover, it needs only a half space for installation comparing with regular model. Because the drainage can be smaller scale due to reducing of splashing water to the around.

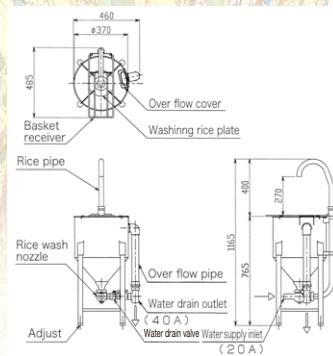
The basket which receives rice is only have to be put on the Basket receiver of the upper main body. It is efficient you can work while standing.



MRW-D14

List Price : ¥120,000
(tax-excluded)

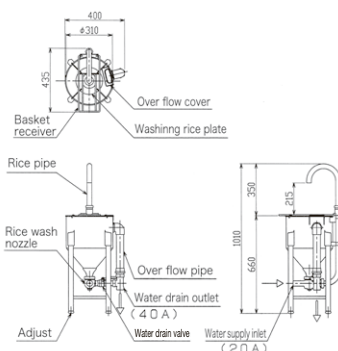
Rice Washing Ability
14
kg/time



MRW-D7

List Price : ¥100,000
(tax-excluded)

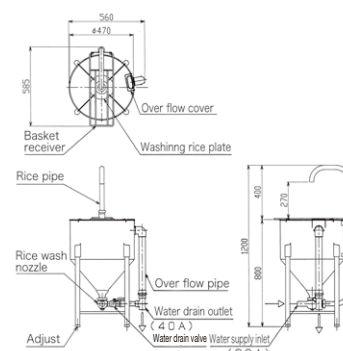
Rice Washing Ability
7
kg/time



MRW-D28

List Price : ¥150,000
(tax-excluded)

Rice Washing Ability
28
kg/time



Spec. table / Draft Type Water Pressure Rice Washer

Model	External dimension (mm)			Rice Washing Ability (kg/time)	Operating Water Pressure (kg/cm ²)	Rice washing time (min)	Water supply inlet	Water drain outlet	Weight (kg)
	Width	Depth	Height						
MRW-D7	400	435	660 (1010)	7	0.5~1.2	2~3	20A (Attached 16mm hose nozzle)	40A	11
MRW-D14	460	485	765 (1165)	14	0.5~1.2	2~4	20A (Attached 16mm hose nozzle)	40A	12
MRW-D28	560	585	800 (1200)	28	0.5~1.2	2~5	20A (Attached 16mm hose nozzle)	40A	14