



PRODUCT FEATURES

- Deck forced refrigeration
- Canopy LED light
- Integral condensor
- Self evaporating
- 65mm deep full size pans supplied
- Foam insulated double skin base
- Glass supplied separately *

UNIT DIMENSIONS & SPECIFICATIONS

Refrigerated 4⁰ factory set point

Model	Cabinet			bench cut out hole size	Pans	Refrigerant	Operating Current	Connection	Voltage
	Length mm	Depth mm	Height mm						
LSRF2	805	690	555	785x670	2 x 1/1 65mm Gastro Pans	134a	4.6 Amp	10amp 3 pin plug	240V

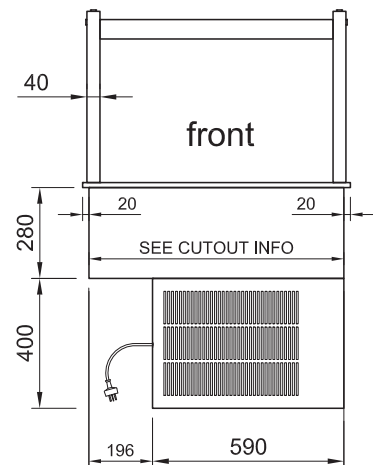
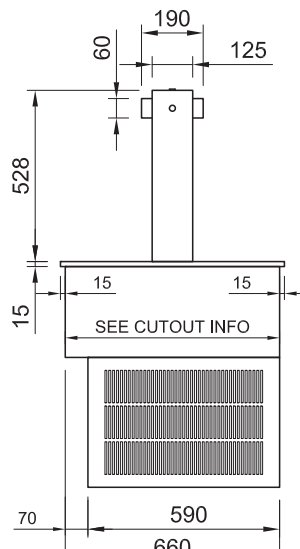
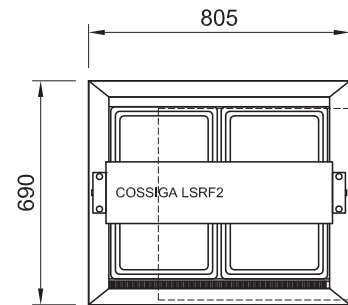
* prior to installation see, installation guidelines, ventillation requirements and drainage options documents

* GLASS AND GANTRY OPTIONS

When ordering a LS unit select the gantry glass type you require from the [GLASS OPTIONS](#) page in this document.

ELECTRICAL POWER

Electrical power cord 2200mm
 3 pin 10 amp 1 phase socket required.
 Maximum ambient operating
 temperature climate class N max 32°C





PRODUCT FEATURES

- Deck forced refrigeration
- Canopy LED light
- Integral condensor
- Self evaporating
- 65mm deep full size pans supplied
- Foam insulated double skin base
- Glass supplied separately *

UNIT DIMENSIONS & SPECIFICATIONS

Refrigerated 4⁰ factory set point

Model	Cabinet			bench cut out hole size	Pans	Refrigerant	Operating Current	Connection	Voltage
	Length mm	Depth mm	Height mm						
LSRF3	1145	690	555	1125x670	3 x 1/1 65mm Gastro Pans	134a	4.6 Amp	10amp 3 pin plug	240V

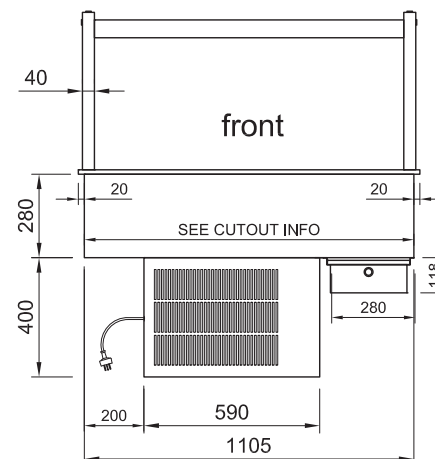
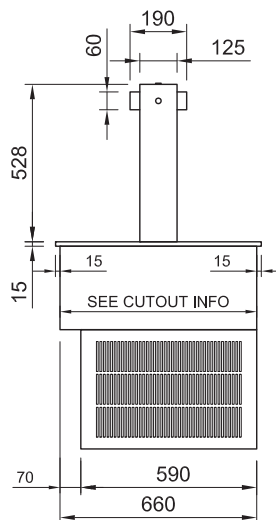
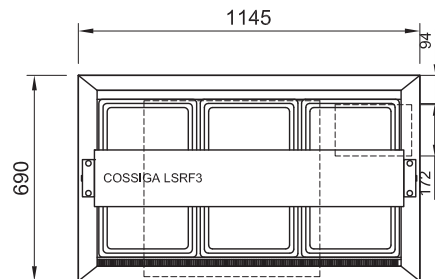
* prior to installation see, installation guidelines, ventilation requirements and drainage options documents

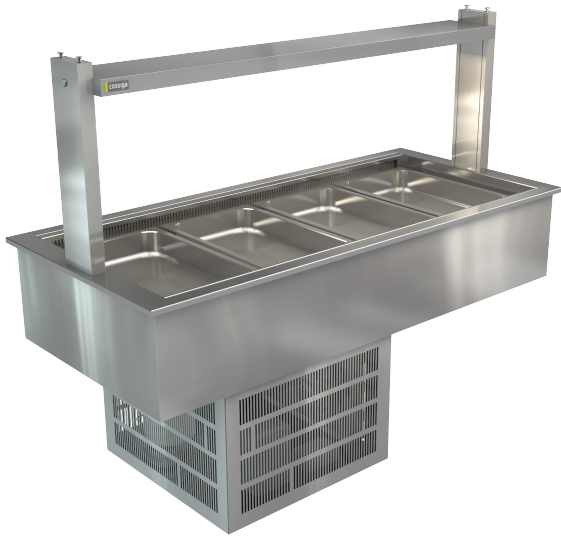
* GLASS AND GANTRY OPTIONS

When ordering a LS unit select the gantry glass type you require from the [GLASS OPTIONS](#) page in this document.

ELECTRICAL POWER

Electrical power cord 2200mm
 3 pin 10 amp 1 phase socket required.
 Maximum ambient operating
 temperature climate class N max 32°C





PRODUCT FEATURES

- Deck forced refrigeration
- Canopy LED light
- Integral condensor
- Self evaporating
- 65mm deep full size pans supplied
- Foam insulated double skin base
- Glass supplied separately *

UNIT DIMENSIONS & SPECIFICATIONS

Refrigerated 4⁰ factory set point

Model	Cabinet			bench cut out hole size	Pans	Refrigerant	Operating Current	Connection	Voltage
	Length mm	Depth mm	Height mm						
LSRF4	1485	690	555	1465x670	4 x 1/1 65mm Gastro Pans	134a	4.8 Amp	10amp 3 pin plug	240V

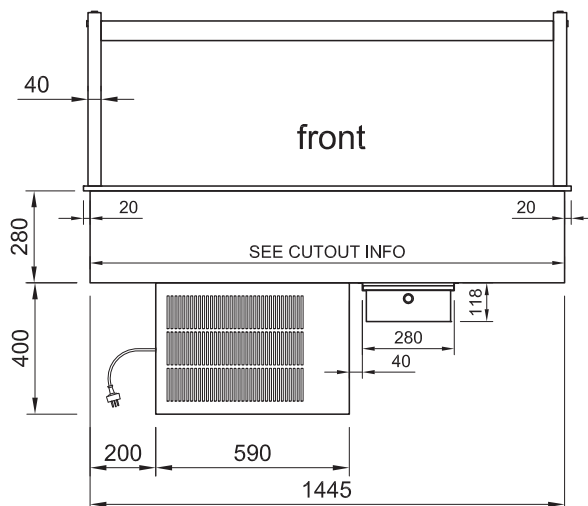
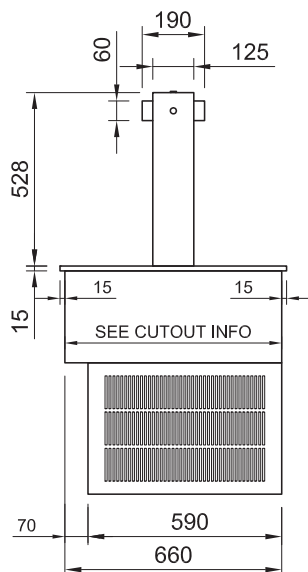
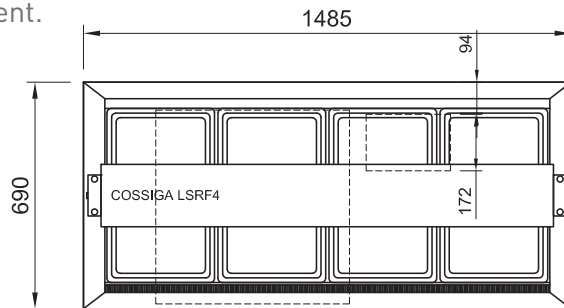
* prior to installation see, installation guidelines, ventilation requirements and drainage options documents

* GLASS AND GANTRY OPTIONS

When ordering a LS unit select the gantry glass type you require from the [GLASS OPTIONS](#) page in this document.

ELECTRICAL POWER

Electrical power cord 2200mm
 3 pin 10 amp 1 phase socket required.
 Maximum ambient operating
 temperature climate class N max 32°C





PRODUCT FEATURES

- Deck forced refrigeration
- Canopy LED light
- Integral condensor
- Self evaporating
- 65mm deep full size pans supplied
- Foam insulated double skin base
- Glass supplied separately *

UNIT DIMENSIONS & SPECIFICATIONS

Refrigerated 4⁰ factory set point

Model	Cabinet			bench cut out hole size	Pans	Refrigerant	Operating Current	Connection	Voltage
	Length mm	Depth mm	Height mm						
LSRF5	1825	690	555	1805x670	5 x 1/1 65mm Gastro Pans	134a	4.8 Amp	10amp 3 pin plug	50/60 Hertz 240V

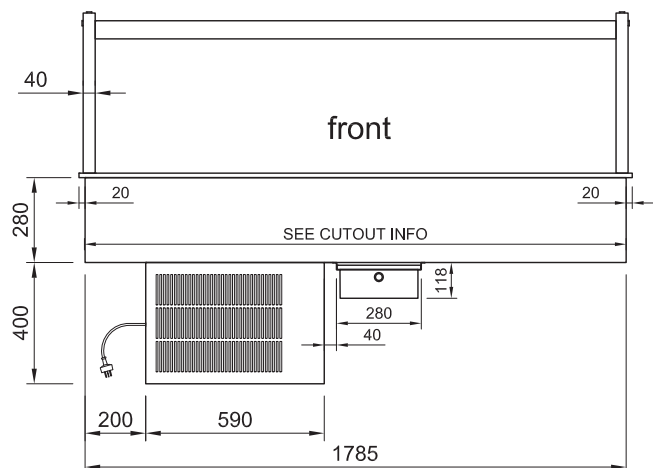
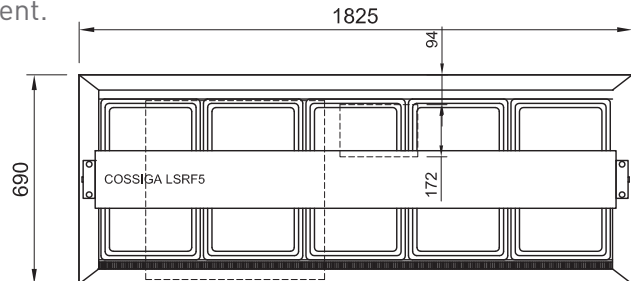
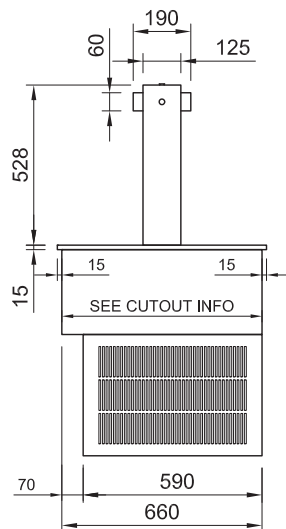
* prior to installation see, installation guidelines, ventilation requirements and drainage options documents

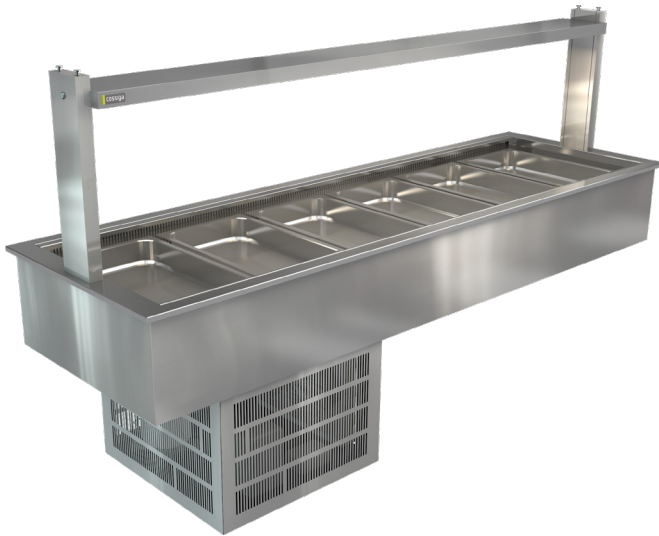
* GLASS AND GANTRY OPTIONS

When ordering a LS unit select the gantry glass type you require from the [GLASS OPTIONS](#) page in this document.

ELECTRICAL POWER

Electrical power cord 2200mm
3 pin 10 amp 1 phase socket required.
Maximum ambient operating temperature climate class N max 32°C





PRODUCT FEATURES

- Deck forced refrigeration
- Canopy LED light
- Integral condensor
- Self evaporating
- 65mm deep full size pans supplied
- Foam insulated double skin base
- Glass supplied separately *

UNIT DIMENSIONS & SPECIFICATIONS

Refrigerated 4⁰ factory set point

Model	Cabinet			bench cut out hole size	Pans	Refrigerant	Operating Current	Connection	Voltage
	Length mm	Depth mm	Height mm						
LSRF6	2165	690	555	2145x670	6 x 1/1 65mm Gastro Pans	134a	5.0 Amp	10amp 3 pin plug	50/60 Hertz 240V

* prior to installation see, installation guidelines, ventilation requirements and drainage options documents

* GLASS AND GANTRY OPTIONS

When ordering a LS unit select the gantry glass type you require from the [GLASS OPTIONS](#) page in this document.

ELECTRICAL POWER

Electrical power cord 2200mm
3 pin 10 amp 1 phase socket required.
Maximum ambient operating
temperature climate class N max 32°C

